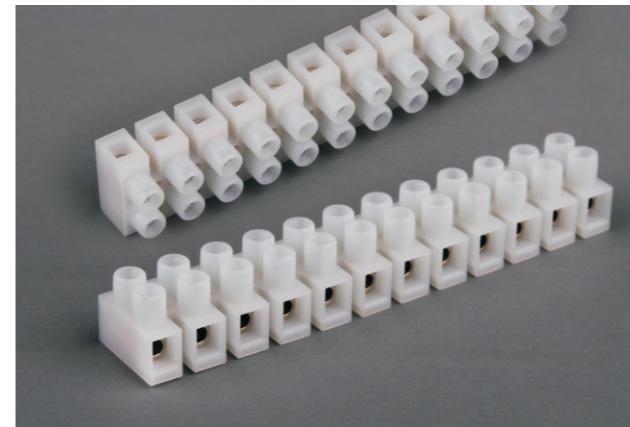
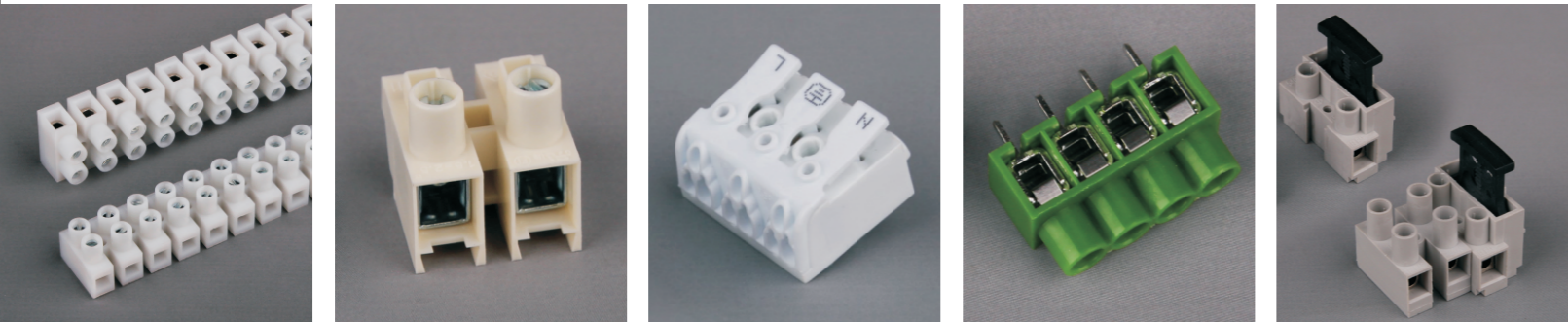


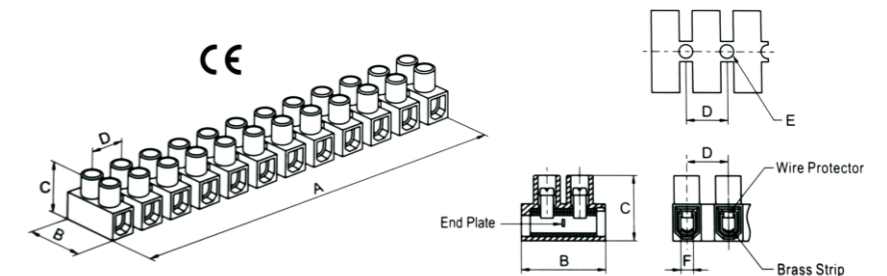
端子台 Terminal table



Terminal Blocks (Flat Base Type) 端子台 (平底型)



- Base: With flat base
 - Housing Material: Polyamide 66 (Nylon 66), Flame-retardant to UL 94V-2
 - Temperature Rating: 105°C (UL), -30°C to T110°C (IEC)
 - Terminal Insert: Brass metal alloy, nickel plated
* : Steel provided with a brass strip
 - Wire Protector (DS): Stainless spring steel
 - Screw: Steel, Zinc plated
 - Poles Available: 2 to 12 poles
 - Available in pre-cutting to specified number of poles.
 - Available in specific packing and private labeling.
- 底座：平底。
 - 胶壳：PA 66工程塑料，UL 94V-2阻燃等级。
 - 温度：105°C (UL)，-30°C to T110°C (IEC)。
 - 线座：铜板附铜片，镀锌。
 - 压片：不锈钢材质，型号字尾DS附压片。
 - 螺丝：铁线，镀锌。
 - 裸线：PA7(DS)约5.0mm (公厘) / 0.20 in.(寸) ;
PA9(DS)约6.5mm (公厘) / 0.26 in.(寸) 。
 - 排数：12排。

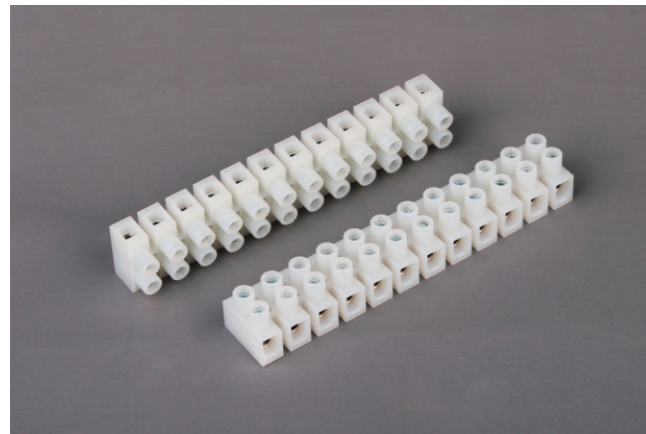


详细参数

型号 Model	适用电源/Wire Range		螺丝 Screw	尺寸 Dimensions(mm)						包装单位 Packing
	Cross-Sec.	AWG,Cu		A	B	C	D	E	F	
PA7F	1.5mm ²	#22-#12 Sol/Str	M2.6×5	96.20	17.00	13.50	8.20	2.90	2.8±0.1	50 Pcs/Bag 500 Pcs/Ctn
PA9F	2.5mm ²	#22-#12 Sol/Str	M3.0×6	116.8	20.20	16.20	10.00	3.60	3.2±0.1	50 Pcs/Bag 500 Pcs/Ctn
PA9FDS	2.5mm ²	#22-#12 Sol/Str	M3.0×6	116.8	20.20	16.20	10.00	3.60	3.2±0.1	50 Pcs/Bag 500 Pcs/Ctn

型号 Model	安规认证与电气规格/Approvals & Ratings			
PA7F		450V, 17.5A, 1.5mm ²		300V, 20A, #22-#12
PA9F		450V, 24A, 2.5mm ²		600V, 30A, #22-#12
PA9FDS		450V, 24A, 2.5mm ²		600V, 30A, #22-#12

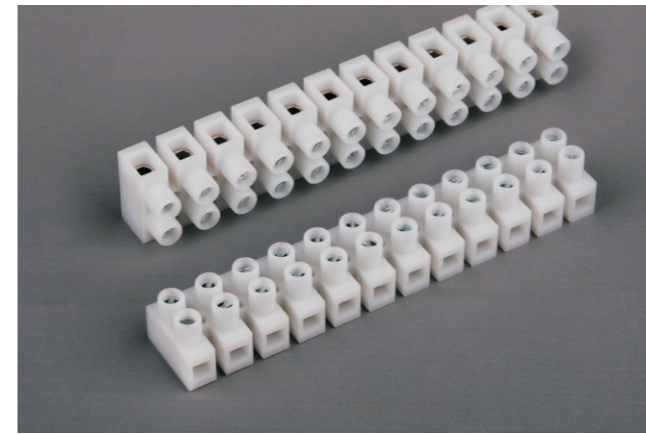
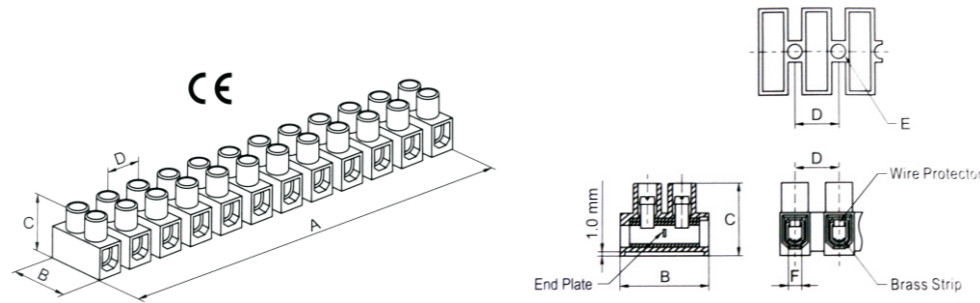
中国专利：ZL20058417.5 专利所有，仿冒必究。



Terminal Blocks (Raised Base Type) 端子台 (底座加高型)



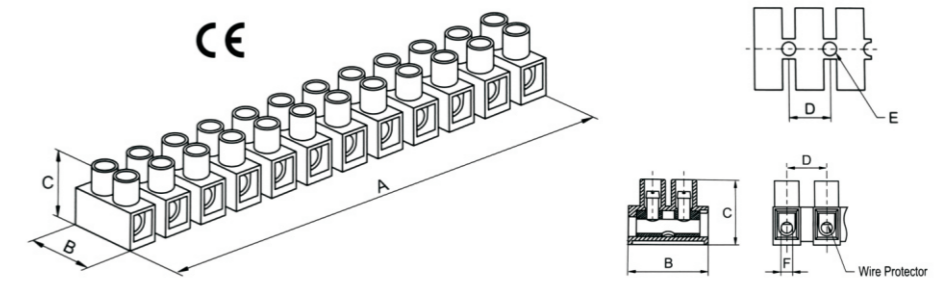
- Base: With 1.0 mm raised base
- Housing Material: Polyamide 66 (Nylon 66), Flame-retardant to UL 94V-2
- Temperature Rating: 105°C (UL), -30°C to T110°C (IEC)
- Terminal Insert: Brass metal alloy, nickel plated
* : Steel provided with a brass strip.
- Wire Protector (DS): Stainless spring steel
- Screw: Steel, Zinc plated
- Poles Available: 2 to 12 poles
- Available in pre-cutting to specified number of poles.
- Available in specific packing and private labeling.
- 底座：加高1.0mm。
- 胶壳：PA66工程塑料，UL94V-2阻燃等级。
- 温度：150°C(UL)，-30°C to T110°C(IEC)。
- 线座：铜板附铜片，镀锌。
- 压片：不锈钢材质，型号字尾DS附压片。
- 螺丝：铁线，镀锌。
- 裸线：PA7 (DS) 约 5.0mm(公厘) / 0.20in. (寸) ;
PA9 (DS) 约 6.5mm(公厘) / 0.26in. (寸) 。
- 排数：12排。



Terminal Blocks (Flat Base Type) 端子台 (平底型)



- Base: With flat base
- Housing Material: Polyamide 66 (Nylon 66), Flame-retardant to UL 94V-2 or 94V-0
- Temperature Rating: 105°C (UL), -30°C to T110°C、T140°C(IEC)
- Terminal Insert: Brass metal alloy, nickel plated
* : Steel provided with a brass strip.
- Wire Protector (DS): Stainless spring steel
- Screw: Steel, Zinc plated
- Poles Available: 2 to 12 poles
- Available in pre-cutting to specified number of poles.
- Available in specific packing and private labeling.
- 底座：平底。
- 胶壳：PA66工程塑料，UL 94V-2或94V-0阻燃等级。
- 温度：105°C (UL)，-30°C to T110°C、T140°C (IEC)。
- 线座：铜合金，镀锌。
- 压片：不锈钢材料，型号字尾DS附压片。
- 螺丝：铁线，镀锌。
- 裸线：约5.0mm (公厘) / 0.20 in.(寸)
- 排数：12排。



详细参数

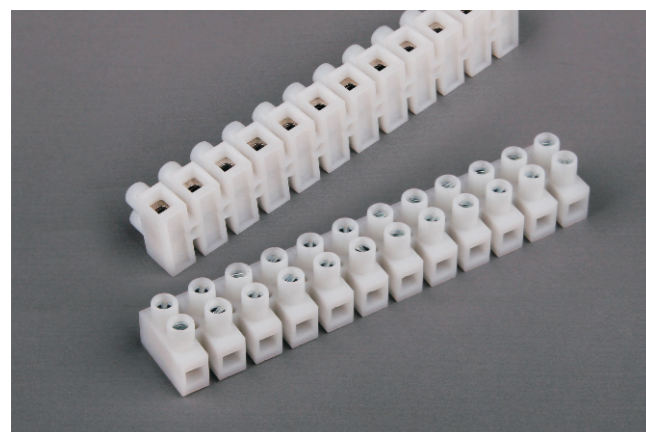
型号 Model	适用电源/Wire Range		螺丝 Screw	尺寸 Dimensions(mm)						包装单位 Packing
	Cross-Sec.	AWG,Cu		A	B	C	D	E	F	
PA7	1.5mm ²	#22-#12 Sol/Str	M2.6×5	96.20	17.00	14.50	8.20	2.90	2.8±0.1	50 Pcs/Bag 500 Pcs/Ctn
PA7DS	1.5mm ²	#22-#12 Sol/Str	M2.6×5	96.20	17.00	14.50	8.20	2.90	2.8±0.1	50 Pcs/Bag 500 Pcs/Ctn
PA9	2.5mm ²	#22-#12 Sol/Str	M3.0×6	116.8	20.20	16.70	10.00	3.60	3.2±0.1	50 Pcs/Bag 500 Pcs/Ctn
PA9DS	2.5mm ²	#22-#12 Sol/Str	M3.0×6	116.8	20.20	16.70	10.00	3.60	3.2±0.1	50 Pcs/Bag 500 Pcs/Ctn

型号 Model	安规认证与电气规格/Approvals & Ratings			
PA7		450V,17.5A,1.5mm ²		300V,20A,#22-#12
PA7DS		450V,17.5A,1.5mm ²		300V,20A,#22-#12
PA9		450V,24A,2.5mm ²		600V,30A,#22-#12
PA9DS		450V,24A,2.5mm ²		600V,30A,#22-#12

详细参数

型号 Model	订单编号 Order Number	适用电源/Wire Range		螺丝 Screw	尺寸/Dimensions(mm)						包装单位 Packing
		Cross-Sec.	AWG,Cu		A	B	C	D	E	F	
PA8	PA8F	1.5mm ²	#22-#12 Sol/Str	M2.6×5	96.20	16.40	12.70	8.20	2.90	2.8±0.1	50 Pcs/Bag 500 Pcs/Ctn
PA8DS	PA8FDS	1.5mm ²	#22-#12 Sol/Str	M2.6×5	96.20	16.40	12.70	8.20	2.90	2.8±0.1	50 Pcs/Bag 500 Pcs/Ctn

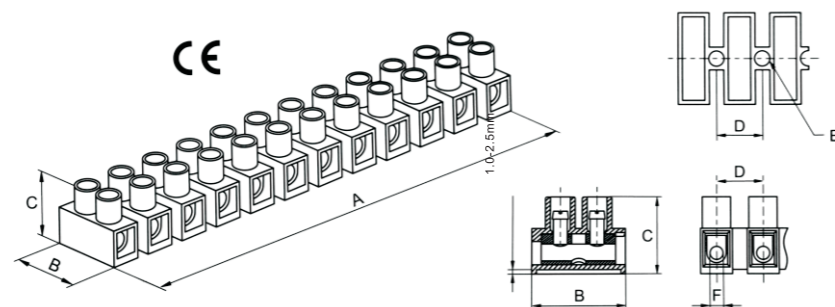
型号Model	安规认证与电气规格/Approvals & Ratings			
PA8		450V,17.5A,1.5mm ²		300V,20A,#22-#12
PA8DS		450V,17.5A,1.5mm ²		300V,20A,#22-#12



Terminal Blocks(Raised Base Type) 端子台 (底座加高型)



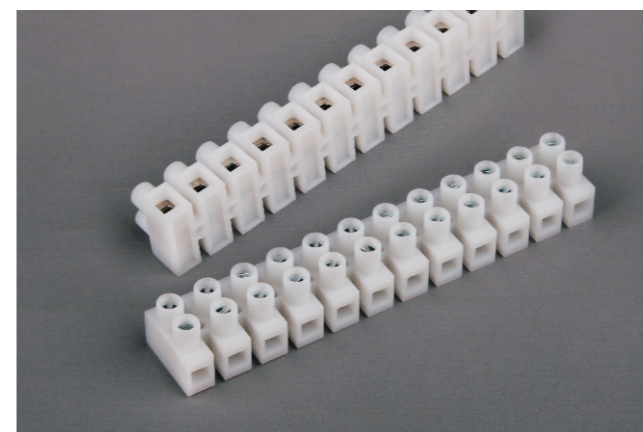
- Base: 1.0~2.5 mm Raised Base Type
- Housing Material: Polyamide 66 (Nylon 66) Flame-retardant to UL 94V-2 or 94V-0
- Temperature Rating: 105°C (UL), -30°C to T110°C、T140 (IEC)
- Terminal Insert: Brass metal alloy, nickel plated
* : Steel provided with a brass strip.
- Wire Protector (DS): Stainless spring steel
- Screw: Steel, Zinc plated
- Poles Available: 2 to 12 poles
- Available in pre-cutting to specified number of poles.
- Available in specific packing and private labeling.
- 底座: 加高1.0-2.5mm。
- 胶壳: PA66工程塑料, UL94V-2或94V-0阻燃等级。
- 温度: 105°C (UL), -30°C to T110°C、T140°C (IEC)。
- 线座: 铜合金, 镀镍。
- 螺丝: 铁线, 镀锌。
- 裸线: PA8约5.0mm(公厘) / 0.20in. (寸);
PA10约6.5mm(公厘) / 0.26in. (寸);
PA12约7.0mm(公厘) / 0.28in. (寸);
PA14约9.0mm(公厘) / 0.35in. (寸);
PA16约10.0mm(公厘) / 0.39in. (寸);
PA18约13.0mm(公厘) / 0.51in. (寸)。
- 排数: 12排。



详细参数

型号 Model	订单编号 Order Number	适用电源/Wire Range		螺丝 Screw	尺寸 Dimensions(mm)						包装单位 Packing
		Cross-Sec.	AWG,Cu		A	B	C	D	E	F	
PA8	PA8H	1.5mm ²	#22-#12 Sol/Str	M2.6×5	96.20	17.00	14.50	8.20	2.90	2.8±0.1	50 Pcs/Bag 500 Pcs/Ctn
PA10	PA10H	2.5mm ²	#22-#12 Sol #14-#10 Str	M3.0×6	117.2	20.20	16.80	10.00	3.60	3.4±0.1	50 Pcs/Bag 500 Pcs/Ctn
PA12	PA12H	6mm ²	#22-#10 Sol/Str	M3.5×7	140.7	23.80	19.00	12.00	3.90	4.2±0.1	40 Pcs/Bag 400 Pcs/Ctn
PA14	PA14H	10mm ²	#20-#8 Sol/Str	M4.0×9	158.0	25.60	25.00	13.50	4.40	5.0±0.1	25 Pcs/Bag 250 Pcs/Ctn
PA16	PA16H	16mm ²	#14-#6 Sol/Str	M4.0×9	170.0	28.10	23.00	14.50	4.20	6.0±0.1	10 Pcs/Bag 200 Pcs/Ctn
PA18	PA18H	25mm ²	#12-#4 Sol/Str	M5.0×11	194.4	37.00	28.70	16.50	4.20	7.0±0.1	10 Pcs/Bag 100 Pcs/Ctn

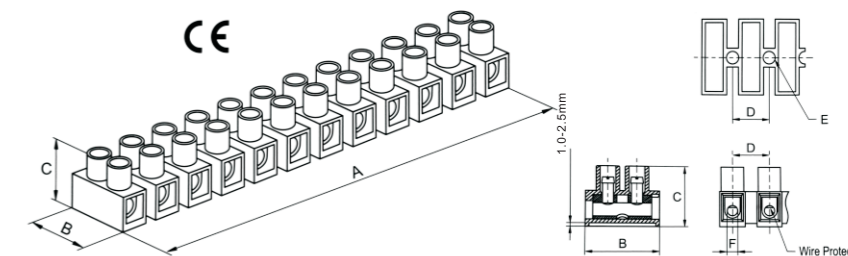
型号 Model	安规认证与电气规格/Approvals & Ratings		
PA8		450V, 17.5A, 1.5mm ²	300V, 20A, #22-#12
PA10		450V, 24A, 2.5mm ²	300V, 30A, #20-#10
PA12		500V, 41A, 6mm ²	300V, 35A, #22-#10
PA14		500V, 57A, 10mm ²	300V, 50A, #20-#8
PA16		500V, 76A, 16mm ²	300V, 68A, #14-#6
PA18		500V, 101A, 25mm ²	300V, 87A, #12-#4



Terminal Blocks(Raised Base Type) 端子台 (底座加高型)



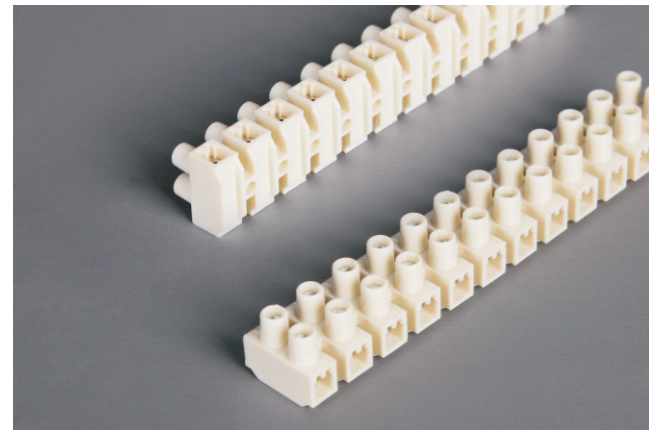
- Base: 1.0~2.5 mm Raised Base
- Housing Material: Polyamide 66 (Nylon 66) Flame-retardant to UL 94V-2 or 94V-0
- Temperature Rating: 105°C (UL), -30°C to T110°C、T140 (IEC)
- Terminal Insert: Brass metal alloy, nickel plated
* : Steel provided with a brass strip.
- Wire Protector (DS): Stainless spring steel
- Screw: Steel, Zinc plated
- Poles Available: 2 to 12 poles
- Available in pre-cutting to specified number of poles.
- Available in specific packing and private labeling.
- 底座: 加高1.0-2.5mm。
- 胶壳: PA66工程塑料, UL94V-2或94V-0阻燃等级。
- 温度: 105°C (UL), -30°C to T110°C、T140°C (IEC)。
- 线座: 铜合金, 镀镍。
- 压片: 不锈钢材质, 型号字尾DS附压片。
- 螺丝: 铁线, 镀锌。
- 裸线: PA8DS约5.0mm(公厘) / 0.20in. (寸);
PA10DS约6.5mm(公厘) / 0.26in. (寸);
PA12DS约7.0mm(公厘) / 0.28in. (寸);
PA14DS约9.0mm(公厘) / 0.35in. (寸)。
- 排数: 12排。



详细参数

型号 Model	订单编号 Order Number	适用电源/Wire Range		螺丝 Screw	尺寸 Dimensions(mm)						包装单位 Packing
		Cross-Sec.	AWG,Cu		A	B	C	D	E	F	
PA8DS	PA8HDS	1.5mm ²	#22-#12 Sol/Str	M2.6×5	96.20	17.00	14.50	8.20	2.90	2.8±0.1	50 Pcs/Bag 500 Pcs/Ctn
PA10DS	PA10HDS	2.5mm ²	#22-#10 Sol #14-#10 Str	M3.0×6	117.2	20.20	16.80	10.00	3.60	3.4±0.1	50 Pcs/Bag 500 Pcs/Ctn
PA12DS	PA12HDS	6mm ²	#22-#10 Sol/Str	M3.5×7	140.7	23.80	19.00	12.00	3.90	4.2±0.1	40 Pcs/Bag 400 Pcs/Ctn
PA14DS	PA14HDS	10mm ²	#20-#8 Sol/Str	M4.0×9	158.0	25.60	25.00	13.50	4.40	5.0±0.1	25 Pcs/Bag 250 Pcs/Ctn

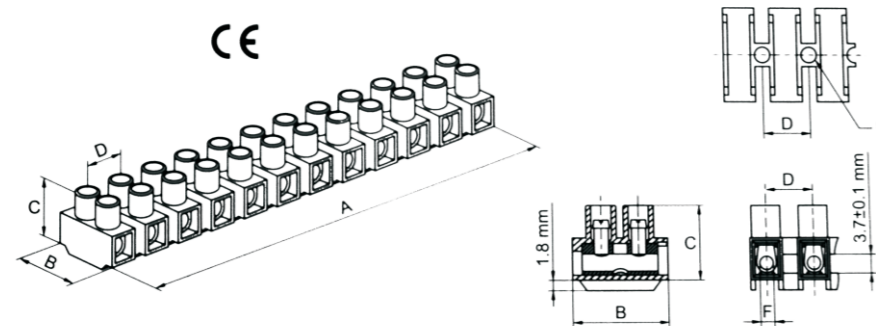
型号 Model	安规认证与电气规格/Approvals & Ratings		
PA8DS		450V, 17.5A, 1.5mm ²	300V, 20A, #22-#12
PA10DS		450V, 24A, 2.5mm ²	300V, 30A, #22-#10
PA12DS		500V, 41A, 6mm ²	300V, 35A, #22-#10
PA14DS		500V, 57A, 10mm ²	300V, 50A, #20-#8



Transformer Terminal Blocks 镇流器专用端子台

RoHS

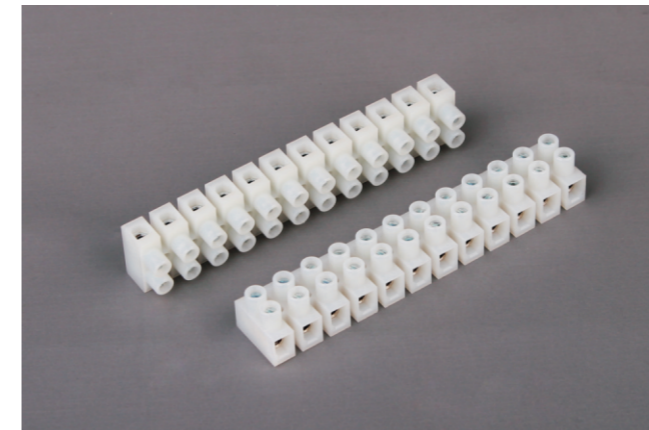
- Base: With 1.8 mm raised base
- Housing Material: Polyamide 66 (Nylon 66) , Flame-retardant to UL 94V-2
- Temperature Rating: -30°C to 100°C
- Terminal Insert: Brass metal alloy, nickel plated
- Screw: Steel, Zinc plated
- Poles Available: 12 poles
- Available in pre-cutting to specified number of poles.
- Available in specific packing and private labeling.
- 底座：加高1.8mm。
- 胶壳：PA66工程塑料，UL94V-2阻燃等级。
- 温度：-30°C to T100°C (IEC)。
- 线座：PA10BNW-锌合金，镀锌。
- 螺丝：铁线，镀锌。
- 裸线：约6.0mm (公厘) / 0.23 in (寸)
- 排数：12排。



详细参数

型号 Model	订单编号 Order No.	安规认证 Approvals	适用电线 Cross-Sec.	螺丝 Screw	尺寸 Dimensions(mm)						包装单位 Packing
					A	B	C	D	E	F	
PA10B	PA10BNW	CE CQC	2.5mm ²	M3.0×6.9	117.2	18.80	14.70	10.00	3.25	3.45±0.1	50 Pcs/Bag 500 Pcs/Ctn

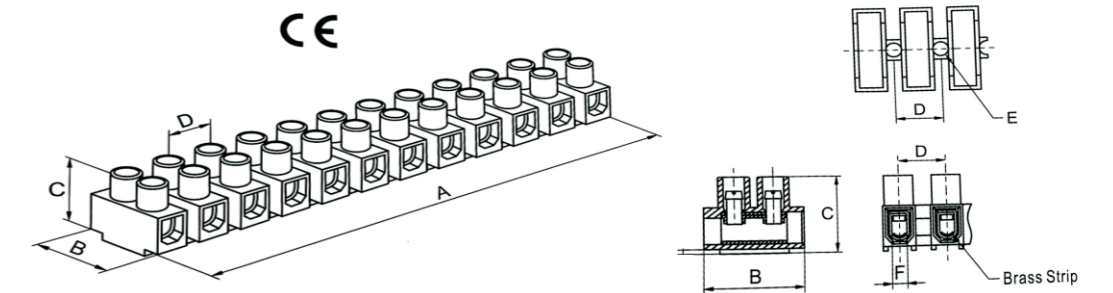
型号 Model	安规认证与电气规格/Approvals & Ratings	
PA10B		450V, 24A, 2.5mm ²



Terminal Blocks(Raised Base Type) 端子台 (底座加高型)

RoHS

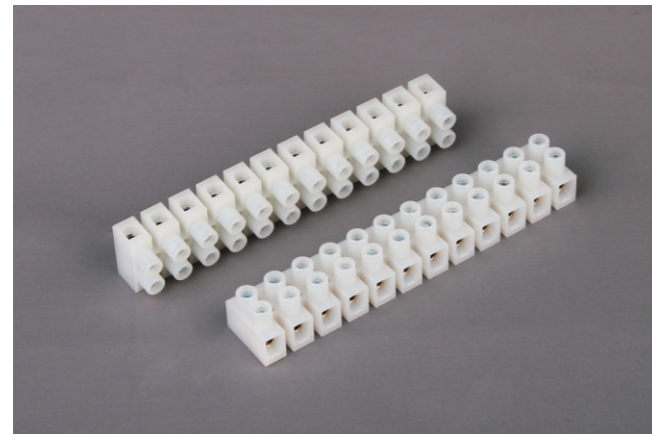
- Housing: Polyamide 66 (PA 66), white flame-retardant to UL 94V-2 Working
- Temperature: 105°C (UL), -30°C to T110°C (IEC)
- Insert: Steel provided with or without a brass strip, zinc-plated
- Screw: Steel, zinc-plated
- Recessed screws and tubular contacts provide added safety and help prevent short circuits.
- 12 poles modular construction, pre-cutting is available on request.
- Can be supplied under private label packaging.
- 胶壳：PA66工程塑料，UL94V-2阻燃等级。
- 温度：105°C (UL), -30°C to T110°C (IEC)。
- 线座：钢板或铜板附铜片，镀锌。
- 螺丝：铁线，镀锌。
- 裸线：PA20*约5.0mm(公厘)/0.20in.(寸)；
PA30*约6.5mm(公厘)/0.26in.(寸)；
- 排数：12排。



详细参数

型号 Model	原料 Material	电器规格 Ratings		适用电源/Wire Range	安规认证 Approvals	包装单位 Packing
PA9X	PA	T100°C	24A 150V	1-2.5mm ² Rigid/flexible		50 Pcs/Bag 500 Pcs/Ctn
	PA	105°C(221°F)	20A 300V	22-12mm ² Sol/Str		

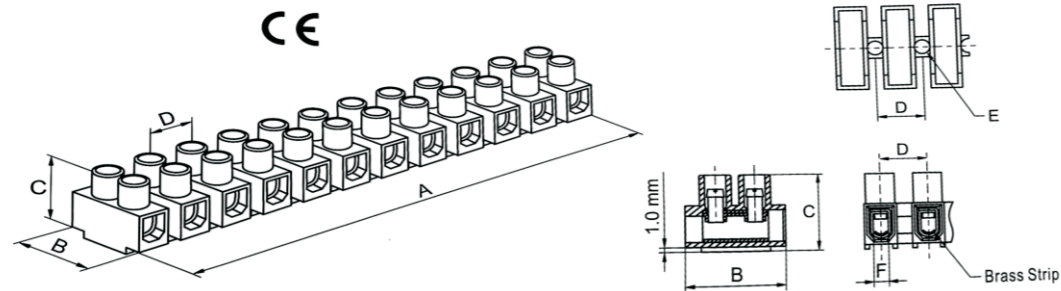
型号 Model	尺寸 Dimensions(mm)						螺丝 Screw
	A	B	C	D	ØE	ØF	
PA9X	116.8	20.2	16.7	10.0	3.4	3.6	M3X6



Terminal Blocks(Raised Base Type) 端子台 (底座加高型)



- Base:with 1.0mm raised base.
- Housing:Polyamide 66(PA 66),white flame-retardant to UL 94V-2 Working
- Temperature:105°C(UL),-30°C to T110°C(IEC)
- Insert:Steel provided with or without a brass strip,zinc-plated
- Screw:Steel,zinc-plated
- Recessed screws and tubular contacts provide added safety and help prevent short circuits.
- 12 poles modular construction,pre-cutting is available on request.
- Can be supplied under private label packaging.
- 底座：加高1.0mm。
- 胶壳：PA66工程塑料，UL94V-2阻燃等级。
- 温度：105°C(UL)，-30°C to T110°C(IEC)。
- 线座：钢板或铜板附铜片，镀锌。
- 螺丝：铁线，镀锌。
- 裸线：PA20*约5.0mm(公厘)/0.20in.(寸)；
PA30*约6.5mm(公厘)/0.26in.(寸)；
- 排数：12排。

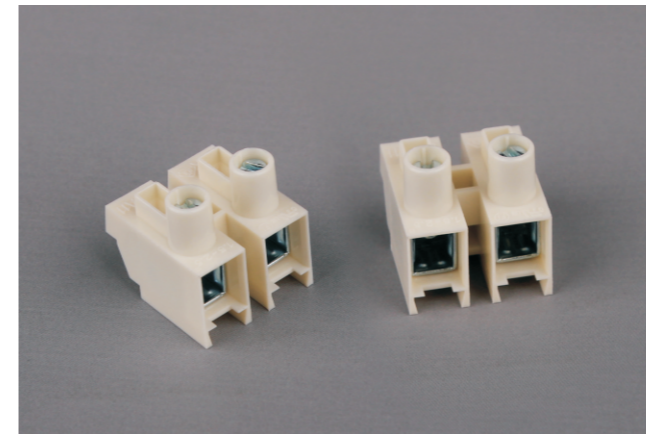


详细参数

型号 Model	产品描述 Decs.	适用电源/Wire Range		螺丝 Screw	尺寸 Dimensions(mm)						包装单位 Packing
		Cross-Sec.	AWG,Cu		A	B	C	D	E	F	
PA20	无铜片	2.5mm ²	#22-#12 Sol/Str	M2.6×5	96.20	17.00	14.50	8.20	2.90	3.3±0.1	50 Pcs/Bag 500 Pcs/Ctn
PA30	无铜片	4mm ²	#14-#10 Str	M3.0×6	116.8	19.20	16.80	10.00	3.60	3.6±0.1	50 Pcs/Bag 500 Pcs/Ctn

型号 Model	安规认证与电气规格/Approvals & Ratings				
PA20		450V,24A,2.5mm ²		300V,20A,#22-#12	
PA30		450V,32A,4mm ²		300V,20A,#22-#10 Sol #14-#10 Str	

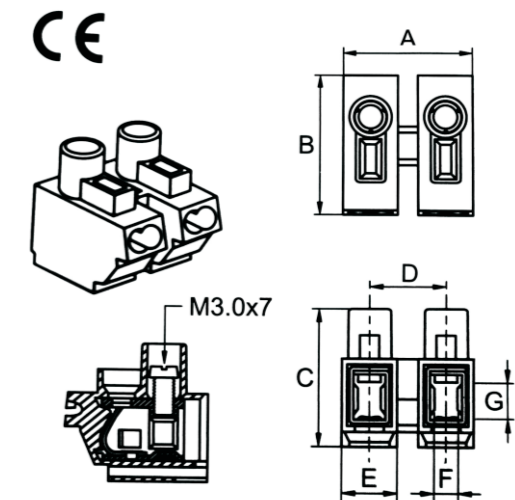
中国专利：ZL20058417.5 专利所有，仿冒必究。



Transformer Terminal Blocks 镇流器专用端子台 (插入式)



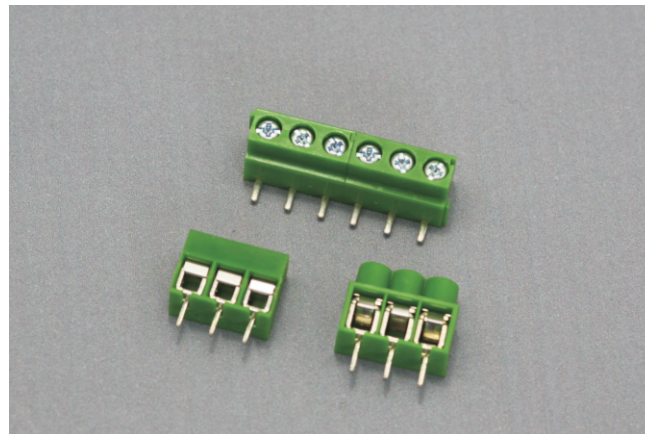
- Base: With 1.8 mm raised base
- Housing Material: Polyamide 66 (Nylon 66), Flame-retardant to UL 94V-2
- Temperature Rating: 105°C(UL),-30°C to T110°C (IEC)
- Terminal Insert: Brass metal alloy, nickel plated or steel
- Screw: Steel, Zinc plated ;M3.0X7
- Poles Available: 2 poles
- Available in specific packing and private labeling.
- 底座：底座加高1.8mm。
- 胶壳：PA66工程塑料，UL94V-2阻燃等级。
- 温度：105°C (UL)，-30°C to T110°C (IEC)。
- 线座：钢片，镀锌。
- 螺丝：铁线，镀锌；M3.0X7。
- 裸线：约8-9mm (公厘) /0.31-0.35 in.(寸)。
- 排数：2排。



详细参数

型号 Model	订单编号 Order Number	适用电源/Wire Range			尺寸 Dimensions(mm)							包装单位 Packing
		Terminal	Cross-Sec.	AWG,Cu	A	B	C	D	E	F	G	
PA11	PA11-2	螺丝端： 插式端：	1-2.5mm ² 0.5-1.5mm ²	#18-#14 Sol #20-#16 Sol	17.3	19.1	19.2	10.0	7.2	3.2±0.1	4.5±0.1	300 Pcs/Bag 3000 Pcs/Ctn

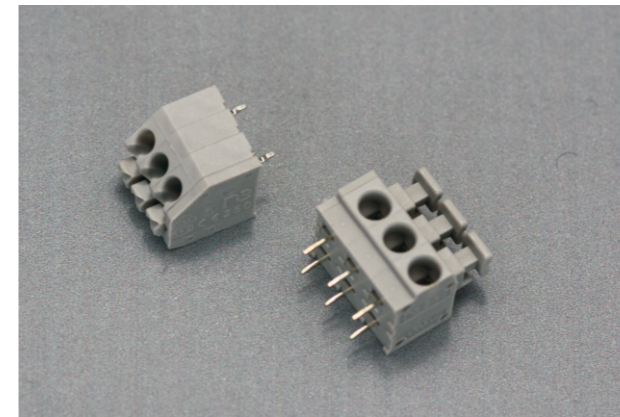
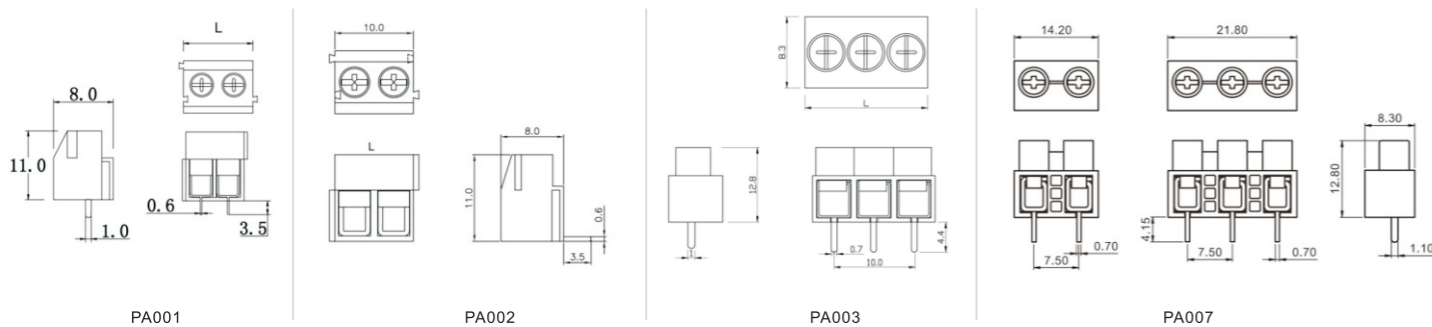
型号 Model	安规认证与电气规格/Approvals & Ratings					
PA11		螺丝端： 插式端：	450V,24A,2.5mm ² 450V,17.5A,1.5mm ²		螺丝端： 插式端：	300V,12A,#18-#14 300V,12A,#20-#16



PCB Terminal Block 印刷电路板型端子台



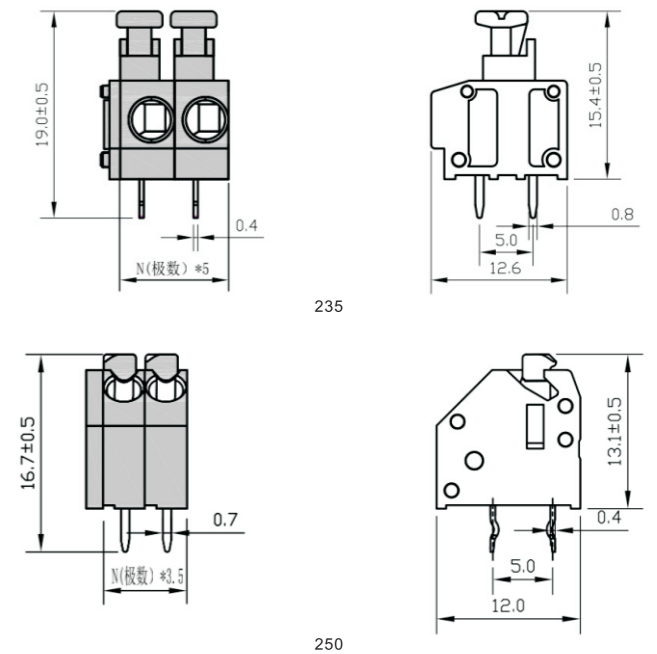
- Current: 10A (UL), 17.5A (IEC)
 - Voltage: 300V(UL), 250V(IEC)
 - Wire Range: 26-14AWG, Cu (UL), 0.5-1.5mm² (IEC)
 - Strip: 6mm / 0.24in.
 - Temperature: 75°C (UL), -30°C to T110°C (IEC)
 - Pin Spacing: 5mm
 - Housing Material: Polyamide 66 (Nylon 66), Flame-retardant grade
 - Terminal: Tinned brass, with square insert hole
 - Screws: M2.6 x 5mm, zinc plated
 - Wire Protector: Stainless steel spring
 - Interlocking: These terminal blocks can easily be interlocked into any required length.
- 电流：10A (UL)，17.5A (IEC)
● 电压：300V (UL)，250V (IEC)
● 线径范围：26-14AWG, Cu (UL), 0.5-1.5mm² (IEC)
● 剥线长度：6mm (公厘) / 0.24in. (寸)
● 额定温度：75°C (UL)，-30°C to T110°C (IEC)
● 间距：5mm
● 胶壳：PA66工程塑料
● 线座：铜合金，镀锡；方形接线孔
● 螺丝：铁线，镀锌；M2.6x5mm
● 弹片：不锈钢
● 可连接型：可依需要组装连接端子极数。
● 颜色：黑色, 蓝色, 绿色, 苹果绿



PCB Spring Terminal Blocks 弹簧式印刷电路板型端子台



- Housing Material: Polyamide 66, UL 94V-0 flame-retardant housing
 - Terminal Insert: Brass metal alloy
 - Wire Protector: Stainless steel spring
- PA66工程塑料成型外壳，UL 94V-0阻燃等级
● 镀锡铜合金，不锈钢弹片接线端子
● 附不锈钢挡片
● 模块化设计，可依需要组装连接端子数
● 按压键可以简化导线的接线操作
● 手动或使用螺丝刀按下推压键，把裸线插入端子内，放开推压键即可
● 适用与各种电子设备中的印刷电路板



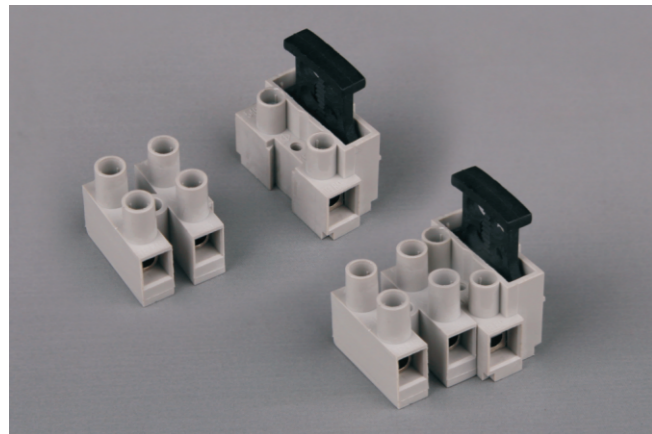
详细参数

型号 Model	极数 Poles	针脚间距 Pitch	电器规格 Ratings	适用电源 Wire Range(Cu)	安规认证 Approvals
PA001	2-24	5mm	17.5A 250V T110°C (230°F)	0.5-1.5mm ² Rigid/flexible	
			10A 300V 75°C (167°F) / 115°C (239°F)	26-14AWG Sol/Str	
PA002	2-24	5mm	17.5A 250V T110°C (230°F)	0.5-1.5mm ² Rigid/flexible	
			10A 300V 75°C (167°F) / 115°C (239°F)	26-14AWG Sol/Str	
PA003	2-8	5mm	24A 400V T120°C (248°F)	0.5-2.5mm ² Rigid/flexible	
			15A 300V 75°C (167°F) / 115°C (239°F)	18-14AWG Sol/Str	
PA007	2-3	7.5mm	24A 400V T120°C (248°F)	0.5-2.5mm ² Rigid/flexible	
			15A 300V 75°C (167°F) / 115°C (239°F)	18-14AWG Sol/Str	

详细参数

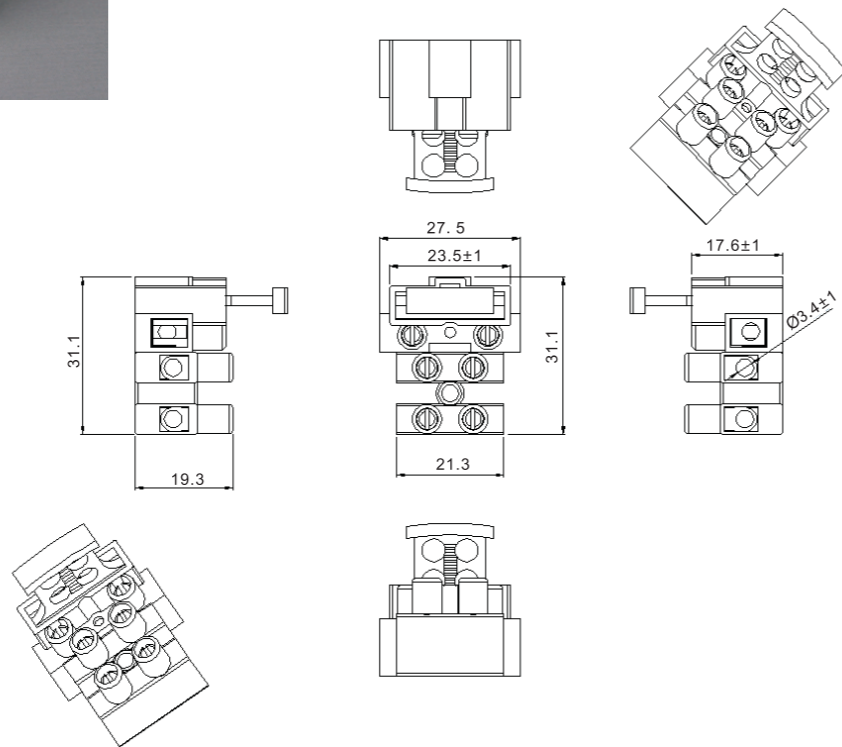
型号 Model	极数 Poles	针脚间距 Pitch	电器规格 Ratings	适用电源 Wire Range(Cu)	安规认证 Approvals
235	2~	5.0mm	24A 250V	T105°C (221°F)	0.5-2.5mm ² Rigid/flexible
		7.5mm	24A 450V		
		10.0mm	24A 500V		
250	2~	5.0mm	10A 300V	T115°C (239°F)	20-14AWG Sol/Str
		7.5mm			
		10.0mm			
250	2~	3.5mm 7.0mm	17.5A 400V	T105°C (221°F)	0.5-1.5mm ² Rigid/flexible
			9A 250V	T105°C (221°F)	0.5-0.75mm ² Rigid/flexible
			5A 300V	T115°C (239°F)	24-16AWG Sol/Str

端子台



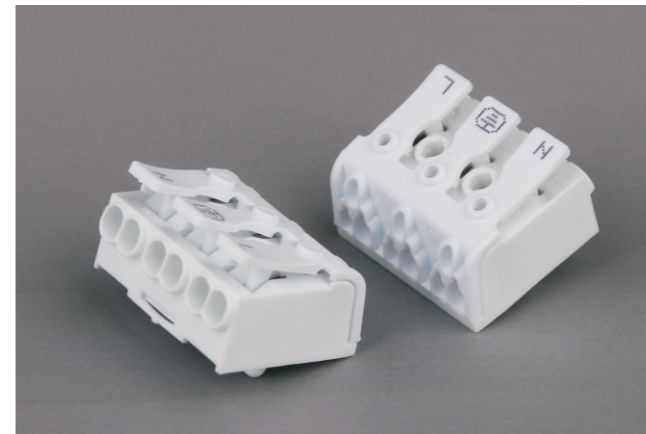
FT06-3W

RoHS



详细参数

电气性能 Electrical properties	
保险丝支架 Fuse Holder	250V/6.3A
端子台 Terminal Strip	450V/15A
截面积 Cross Section	0.75mm ² -2.5mm ²
温度 Temperature	-40°C-110°C
材料 Material	
胶壳 Housing	PA 6/6 94V-2
金属部分 Metal Parts	镀镍合金 Nickel plated, metal-alloy insert
螺丝 Terminal Screw	M3X6 镀锌 M3X6 zinc plated
接地螺丝 Earthing Screw	M3X14 镀锌 M3X14 zinc plated

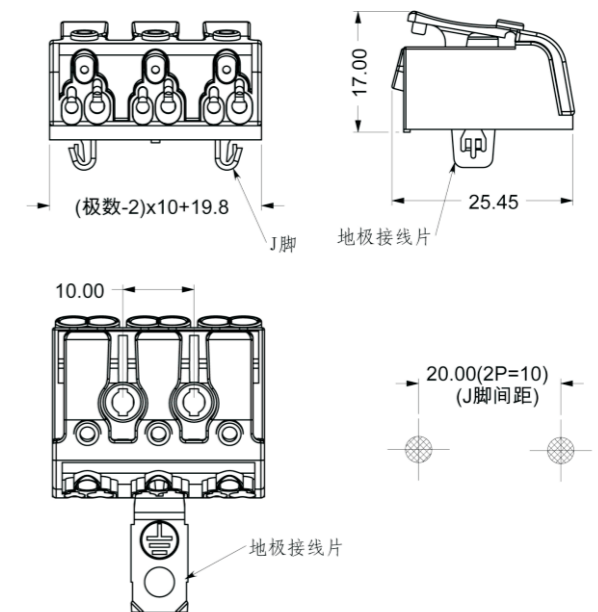


923 series product introduction
923系列产品介绍

RoHS



- Terminal module for power supply, have two to four, lamps and other equipment is attached. They are suitable for various countries around the world, and can be connected to 0.75 to 1.5 was single stocks, More strands, and fine strands of wire. Optional many regional lugs and clamp.
- 为供电用端子模块，有2,3,4位，用于连接灯具及其它设备。他们适于全球各个国家应用，且可连接0.75至1.5mm²单股、多股以及细多股导线。可选配多款地级接线片和线夹。



详细参数

电气性能 Electrical properties	
电压 (V) Voltage (V)	400
电流 (A) Ampere (A)	16
适用线径 Apply line diameter	0.75~2.5mm ²
极数 Number of poles	2-5
材料 Material	
塑料部分 Plastic parts	聚酰胺66UL94V-2等级 Polyamide 66 \UL94V-2 garde
金属部分 Metal parts	合金铜 (电镀) 及不锈钢弹片 Alloy Copper (electroplating)
地极接线片 Regional lug	合金铜 Alloy copper
环境温度 Ambient Temperature	T-5°C~80°C