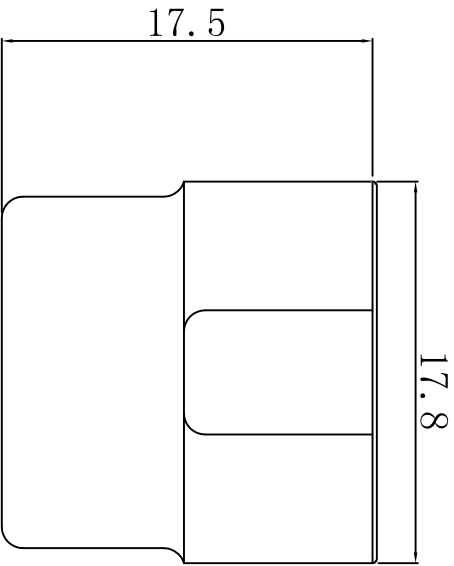
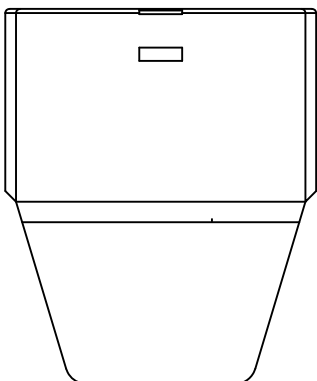
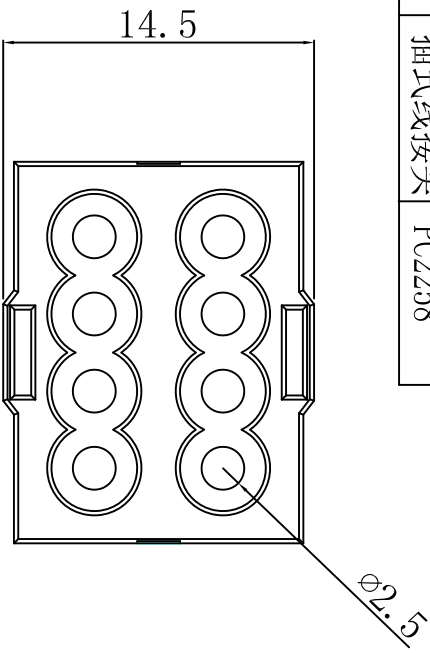


料号 Part NO.	品名 Parts Name
PC2258	插式线接头 PC2258



Housing Material: Polycarbonate (PC) and Polyamide 66 (PA66), flame-retardant to UL 94V-0  
 Current: 24A (IEC)  
 Voltage: 450V (IEC), 600V (UL)  
 Working TEMP: 110 (IEC), 105°C (UL)  
 Wire Range: 1.0-2.5mm<sup>2</sup> Sol/Rigid (IEC), #22-#12 AWG, Sol Cu (UL)  
 Stripping Length: 11mm



未经受权不得修改和复印  
 该知识产权属于技术质量部;

DIMENSION		TOLERANCES									
0.0 0.00		±0.30									
FIRST ANGLE PROJ				A		NEW PART		DWG. BY		DATE	
				LTR.		REVISION RECORD		CHK. BY			
						<i>william</i>		<i>ya wang</i>		<i>20108</i>	
DWG. BY		<i>lin liang</i>		UNIT				mm			
CHK. BY		<i>william</i>		REV.				A			
APP. BY		<i>wang ziyuan</i>		DWG. NO.				PC2258			