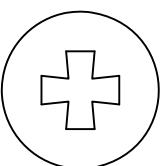
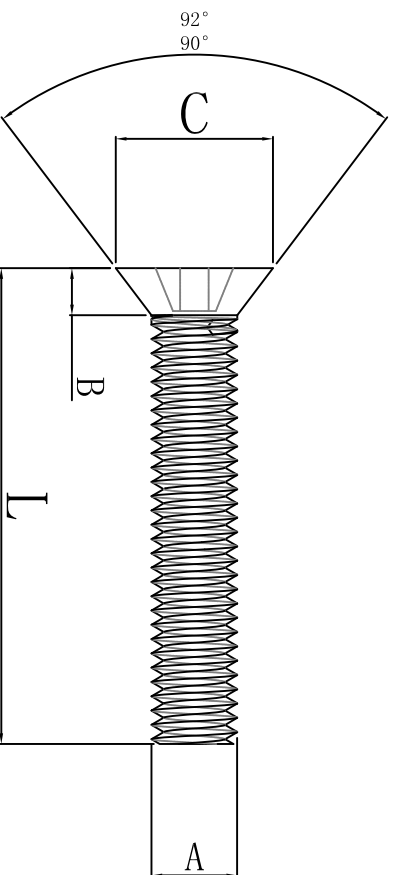


料号 Part NO.	品名 Parts Name	A	Length 长度	B	C	Pitch 螺距
74-PF5-L-F	十字沉头螺丝	PF5-L-F	8, 10, 12, 15, 20, 22, 25, 30, 40	2.7	9.3	0.8
		M5				



- ◆ MATERIAL: NYLON 66(U1)
- ◆ FLAME CLASS: 94V-2
- ◆ COLOR: NATURAL



DIMENSION	TOLERANCES																		
0.0	±0.5																		
0.00																			
FIRST ANGLE PROJ		A	NEW PART	<i>oullivan</i>	<i>yu wang</i>	<i>20108</i>													
L.T.R.			REVISION RECORD	DWG. BY	CHK. BY	DATE													
DWG. BY		<i>liu liang</i>	UNIT	mm															
CHK. BY		<i>oullivan</i>	REV.	A															
APP. BY		<i>wang zhiyan</i>	DWG. NO.	HIWA/QR-JZ-74-PF5-L-F															

未经并受权不得修改和复印  
该知识产权属于技术质量部;